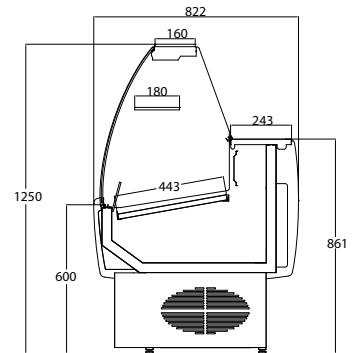




PRIMA 150



Unit supplied with Stepped Deck - not shown.

Product Description

The Frilixa Prima range of slimline serveovers are ideal where space is limited. At only 822mm deep you can maximise floor space in your deli or cafe. The airflow of the unit is designed so you get even cooling over the whole deck without the need for a fan, this ensures delicate food on display does not dry out. Rear sliding doors to the deck area are fitted while the unit comes with refrigerated understorage as standard. Front glass hinges forward to allow for ease of cleaning.

Features and Benefits

- Fully automatic
- Static cooling
- Adjustable feet
- LED Interior light with switch
- Digital controller and temperature display
- Hinged glass for easy cleaning
- Ambient shelf
- Acrylic sliding doors to display area
- Hinged doors to refrigerated understorage
- Only 822mm deep
- 13 Amp socket to rear for scales/till etc.
- Stainless rear shelf
- Stainless deck
- Number of storage compartment doors: 100 = 1, 130 = 1, 150 = 1, 170 = 2, 200 = 2

Technical Specifications

Temperature Range	+2/+8°C
Refrigerant	R134a
Type of Defrost	Off Cycle
Exterior Finish	White
Interior Finish	Stainless Steel
Power Required	13 Amp
Max Ambient	25°C at 60% RH
Climate Class	3

Model	Description	Ext.	Dimensions (mm)			Kg	kWh/Annum	Display Area	No. of Shelves	Next Day
			H	W	D					
PRIMA 100	White, Curved Glass	Ext.	1250	1034	822	112	1453		1 Ambient Shelf	✓
PRIMA 130	White, Curved Glass	Ext.	1250	1334	822	128	1726		1 Ambient Shelf	✓
PRIMA 150	White, Curved Glass	Ext.	1250	1534	822	140	1726		1 Ambient Shelf	✓
PRIMA 170	White, Curved Glass	Ext.	1250	1734	822	155	2449		1 Ambient Shelf	✗
PRIMA 200	White, Curved Glass	Ext.	1250	2034	822	178	2449		1 Ambient Shelf	✗

